

Gas Flue Boxes



Convectafire reproduced by kind permission of Focal Point Fires

There are many homes constructed without chimneys. The range of SFL Gas Flue Boxes, used in conjunction with a SFL flue or chimney system, is purpose designed to overcome the problem.

Such a combination will provide an economical and easily installed system to accommodate a wide range of residential living room gas appliances.

The information contained in this brochure was accurate at the date of publishing. However the company reserves the right to introduce at any time modifications and changes of details as may be necessary. To avoid any misunderstanding, interested parties should contact the company to confirm whether any material alterations have been made since the date of this brochure.



UK Sales and Customer & Export Services

SFL, Pottington Business Park, Barnstaple, Devon EX31 1LZ
Tel: 01271 326633 Fax: 01271 334303 www.sfl.uk.com info@sfl.uk.com
SFL is a division of Powmatic Ltd.

Gas Flue Boxes

For the installation of domestic gas fires, using a traditional or pre-fabricated chimney



THE RANGE OF GAS FLUE BOXES

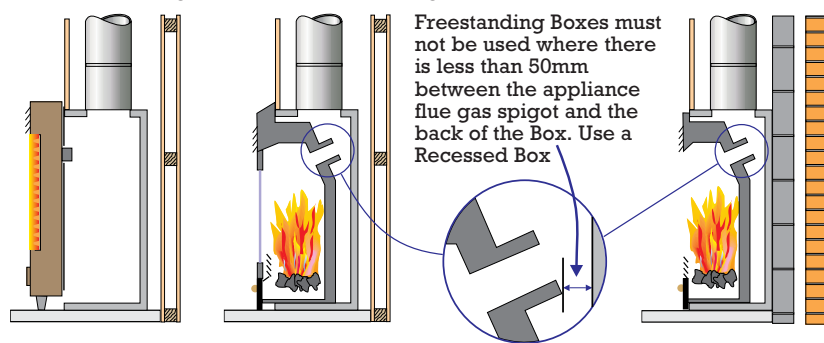
SFL provide several types of Gas Flue Box, all designed to be used with the IL Gas Vent System and, where Building Regulations allow, may be used with stainless steel chimney liners.



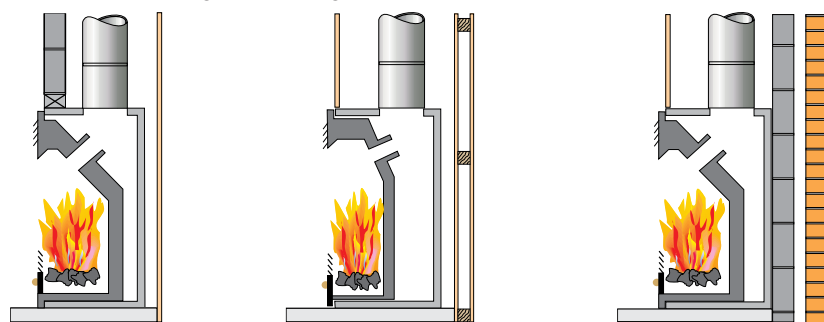
Valor Visage Blue reproduced by kind permission of Valor Heating Ltd.

- The Freestanding and Recessed Gas Flue Boxes are designed to be used with conventional **Radiant** gas fires, as well as **Inset Live Fuel Effect (ILFE)** gas fires, which comply with BS 7977-1: 2002. As there are now so many of these available, it is perhaps understandable that confusion arises when deciding which gas appliance can be used with which gas flue box and flue system. SFL provide several types of Gas Flue Box, all designed to be used with the IL Gas Vent System and, where Building Regulations allow, may be used with stainless steel chimney liners.
- The illustrations below will help you choose the correct combination. All Gas Flue Boxes are provided with detailed Installation Instructions, which should be read in conjunction with the Installation Instructions provided by the manufacturer of the gas appliance.

Freestanding Gas Flue Box used in any of the applications shown with either Radiant gas fires or some ILFE gas fires.

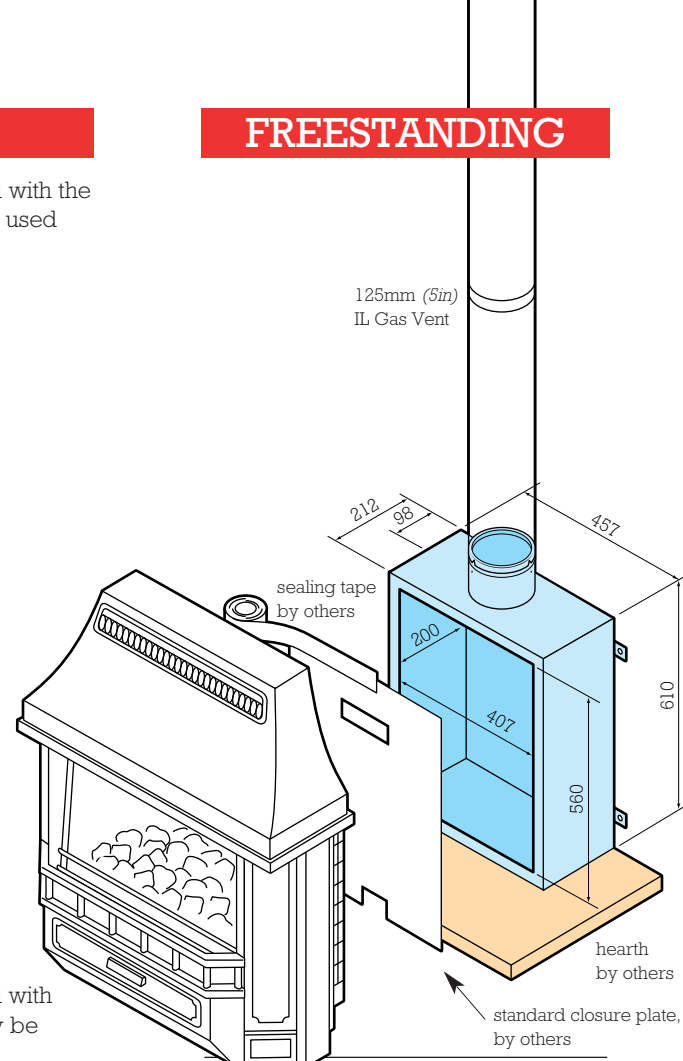


Recessed Gas Flue Box used in any of the applications shown and with various designs of ILFE gas fires.



- IMPORTANT** Some types of "Decorative Gas Fire" do not comply with BS Building Regulations classify these as solid fuel appliances in every respect and they should not be used with any Gas Flue Box. SFL can provide a suitable chimney system for such appliances.

FREESTANDING



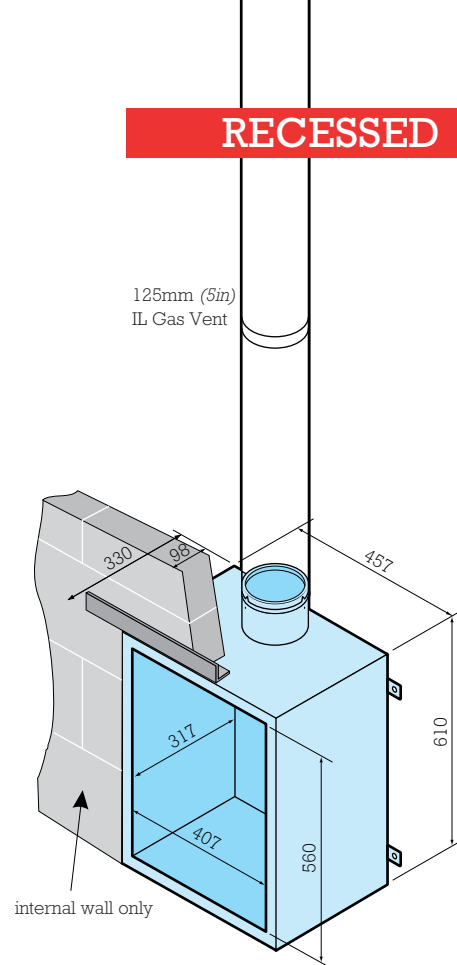
Code: 0404805

The Freestanding Gas Flue Box has a twin-wall construction and is for use with any Gas Fire manufactured and tested to BS 7977-1: 2002. This Standard includes both conventional radiant gas fires and appliances which simulate solid fuel and wood burning either behind glass or having an open front. Radiant fires and those with a simulated solid fuel fire behind glass and usually supplied with a closure plate as shown in the illustration above. Those having an open front, whether projecting into the room or sitting back into the fireplace opening and typically identified as Inset Live Fuel Effect Fires, or **ILFE's** for short.

The Box must be positioned on 12mm thick Building Regulation required non-combustible hearth. A 125mm diameter IL Gas Vent System is then connected directly to the short IL spigot length which is a permanent fixture on the Box outlet.

Note A 50mm clearance must be maintained between any combustible material and the external surfaces of the top, back and sides of the Box.

RECESSED



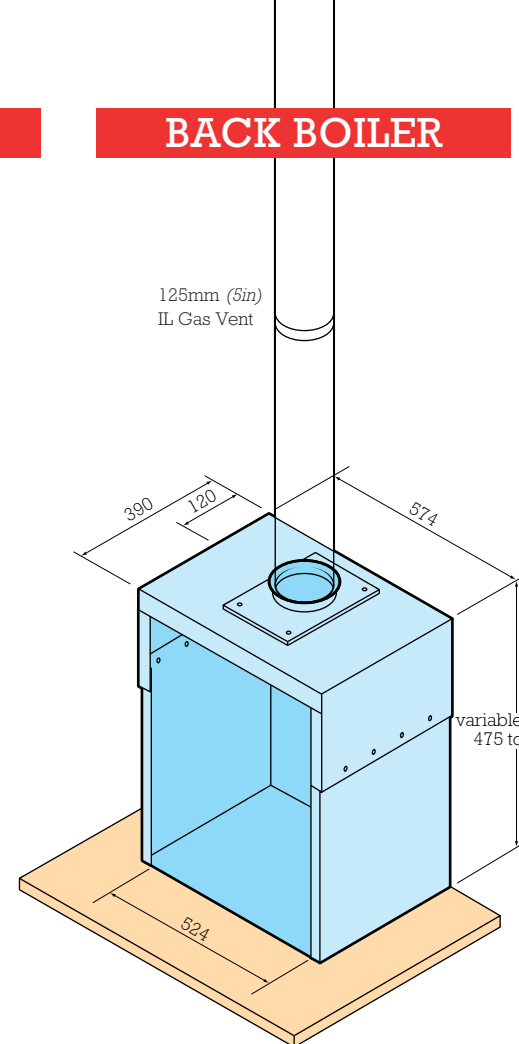
Code: 0404905

This Box is a deeper version of the Freestanding Gas Fire Flue Box, and its installation requirements are the same. However, being deeper it can also be used to fit within the thickness of an internal masonry or plaster and timber stud wall so that the Gas Fire is flush to the wall in one room with the IL Gas Vent behind the wall.

It must not be used to penetrate an external wall.

Although the Flue Gas Collector, (see the flap on the right), is designed to enable a chimney serving a gas fire to be lined, it is limited to appliances supplied with a closure plate. Where the appliance features a projection normally accommodated within the builders opening, the Recessed Gas Flue Box may be used for the same purpose. It would be located in an existing builders opening and under a masonry chimney. Connection between the Box and a 125mm, BS 715 approved flexible stainless steel liner, must be made with the IL Adaptor to Flexible, available from the IL Gas Vent system range, item Code No. 0471605.

BACK BOILER



Code: 0405105

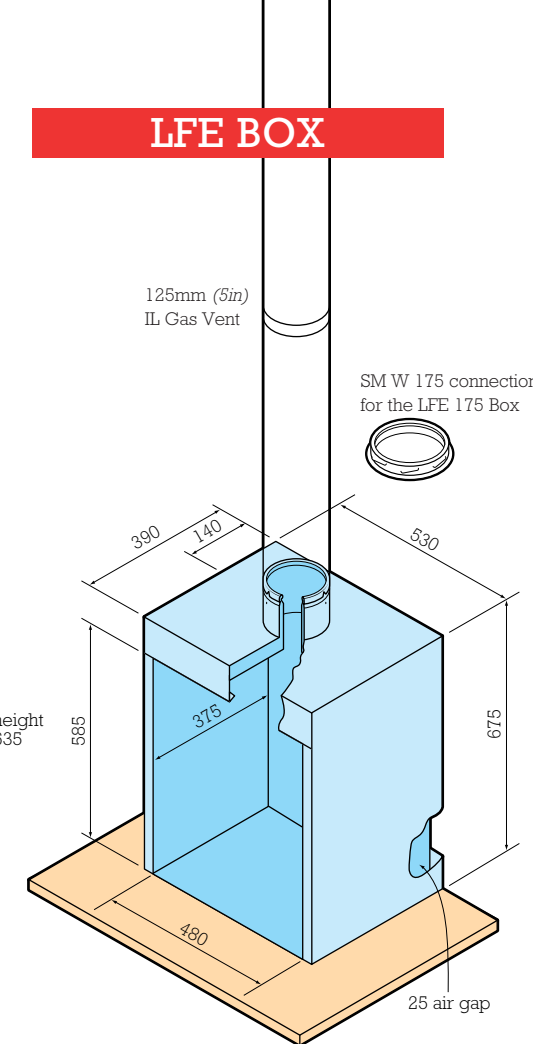
This Box is of single wall construction, and provides an enclosure for gas fired back boiler units manufactured and tested to BS 7977-2: 2003.

The Box is constructed so that it can telescope to provide a front opening height range of between 475mm and 635mm. 125mm IL Gas Vent is passed through the sealing plate on the top of the Box and sealed into the boiler spigot using a Draught Hood Connector.

The sealing plate is adjustable to provide a front of Box to centre flue dimension range of between 190mm and 270mm. Building Regulations relating to hearth requirements and proximity to combustibles must be applied to the appliance. Suitable sized holes should be cut in the sides of the Box to suit boiler connections.

All dimensions in mm

LFE BOX



Code: LFE 125 Box 0405905

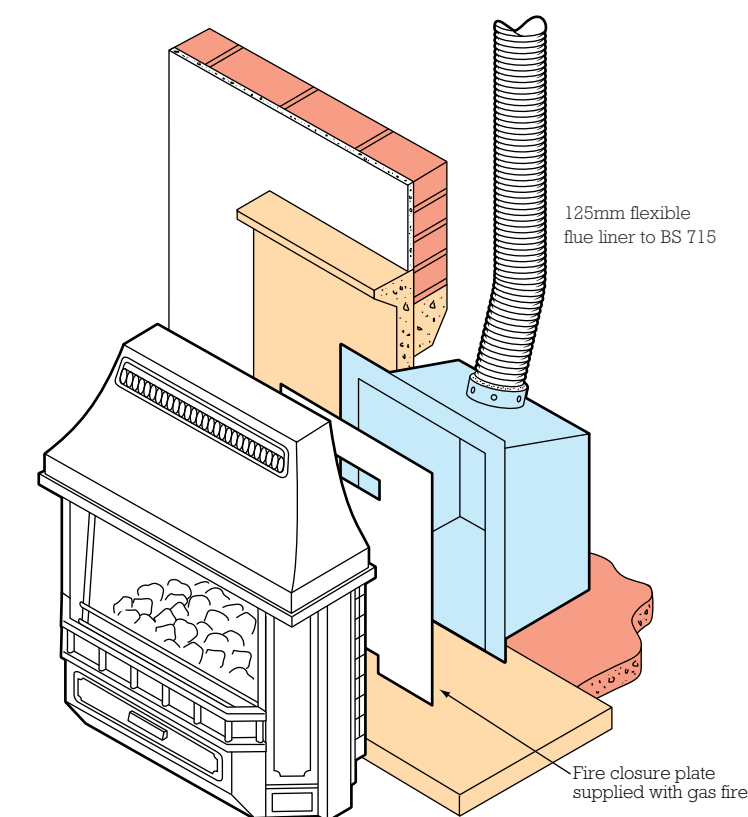
Code: LFE 175 Box 0705007

These Boxes have been independently assessed to the requirements of BS 715: 1993, and have been designed for use with those Live Fuel Effect gas fires to BS 7977-1: 2002 which are too large for the Recessed Gas Flue Box. The box must only be used with modular one piece appliances and not gas fires consisting of separate parts requiring assembly on site and often called Decorative Gas Fires. (**DGF's**).

The LFE 125 Box, (illustrated), which is provided with a 125mm adaptor for the IL Gas Vent System, should only be used with appliances which have been tested and approved for use with a 125mm diameter flue.

If the appliance has been assessed to require a 175mm flue, the LFE 175 Box, which is provided with a 175mm adaptor for the SM W Chimney system, should be used. If there is any doubt as to which version to use, consult the appliance manufacturer.

FLUE GAS COLLECTOR



Code: 0405705 Standard and 0406105 Special (Visa 2)

Code: 0406205 Special (Visa Hi-Line)

This is *not* a Gas Flue Box, but a flue gas collector devised to accommodate a gas fire fitted to a masonry chimney.

The Collector is purpose designed for use only with radiant gas fires complying with BS 7977-1: 2002, and used with a closure plate.

It must **ONLY** be used inside a conventional masonry fireplace recess, and be connected to 125mm diameter flexible flue liner which complies with BS 715.

The Collector is designed to fit a fireplace recess which has maximum dimensions 400mm (16in) wide, by 560mm (22in) high. It is provided with detailed Installation Instructions which are available separately.

The 0406105 Special version is 70mm shorter for specific applications, details of which are available in separate Installation Instructions, and suitable for the Robinson Willey Visa 2 gas fire. A separate special box (0406205) is also available for the Visa Hi-Line.

